

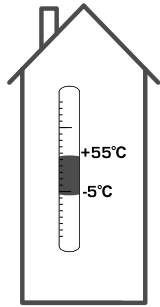
# ESBE SERIES CRB100



Series CRB110  
Series CRB120

CE

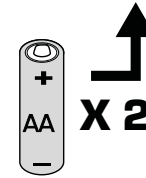
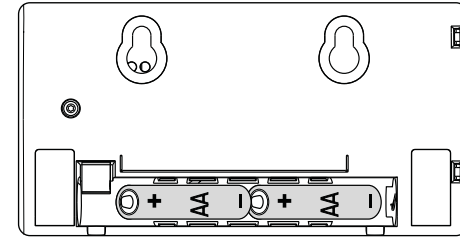
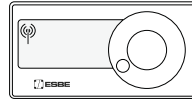
LVD 2006/95/EC  
EMC 2004/108/EC  
RoHS 2002/95/EEC  
EN 300220-2



**1A**



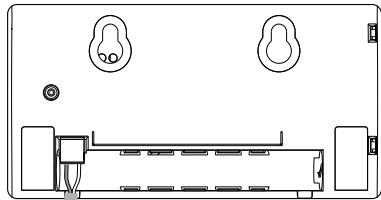
Series CRB120   



**1B**

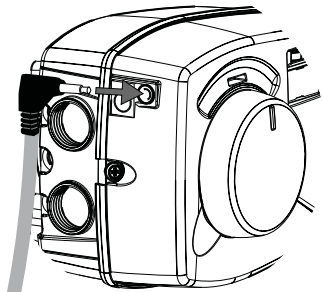
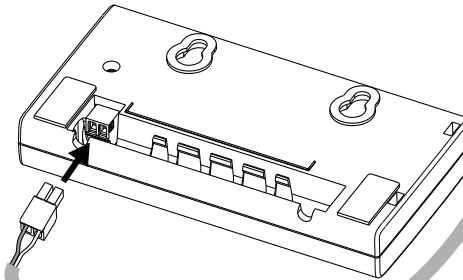
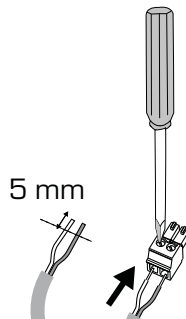


Series CRB110   

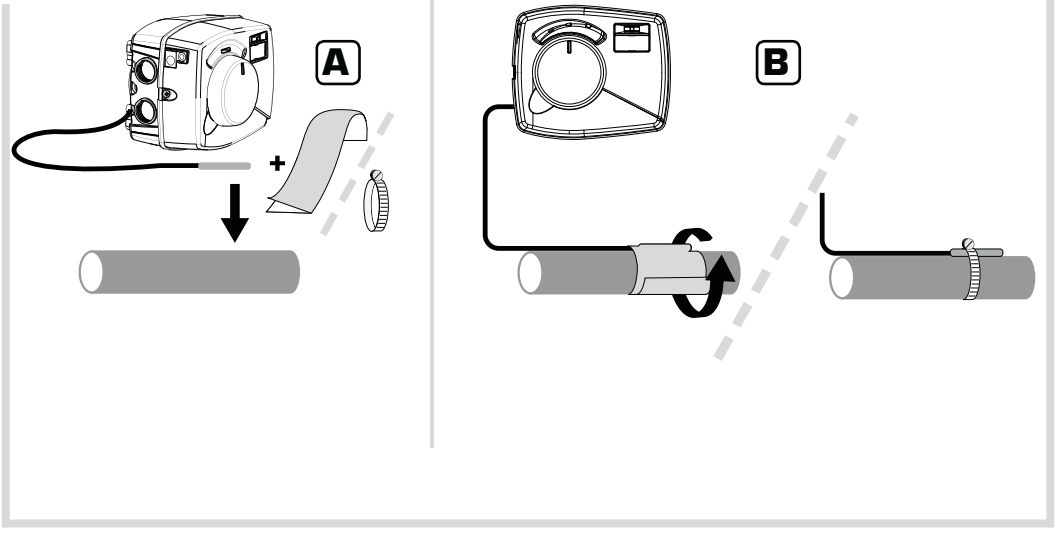


5 mm

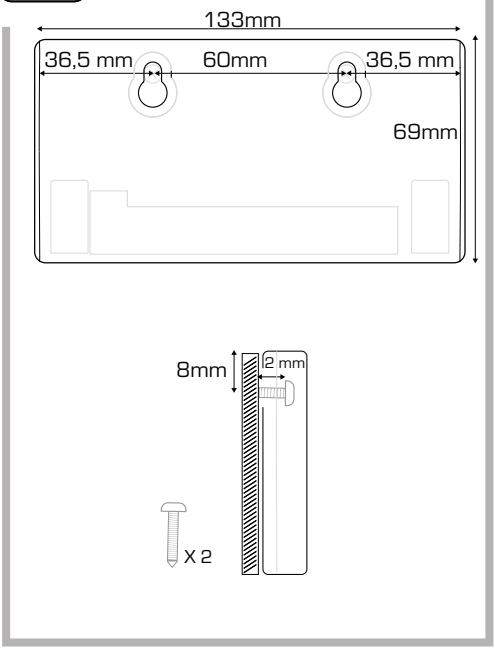
180°



2



i



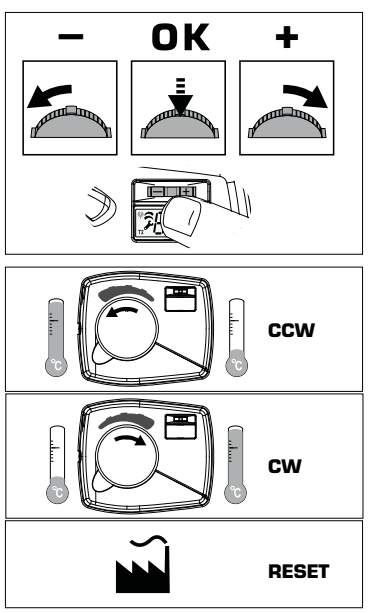
www.esbe.se

Mtrl.nr. 9814 03 91 • Ritn.nr. 9211 utg. B • Rev. 1012

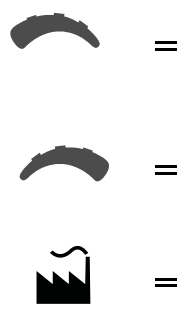
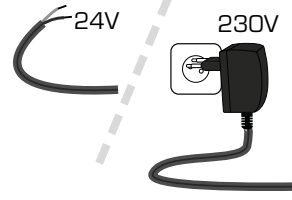
3



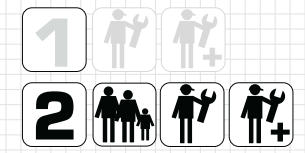
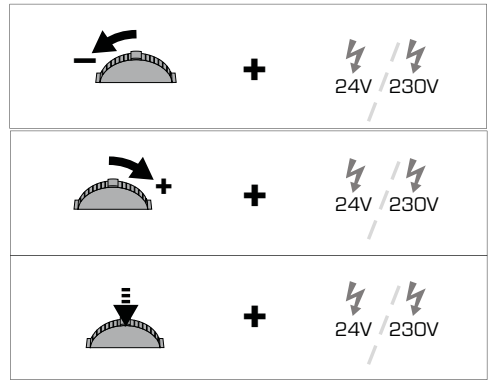
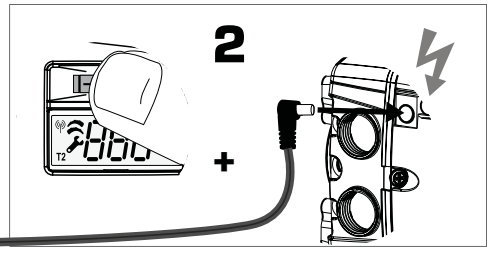
i



1



2



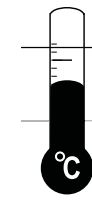
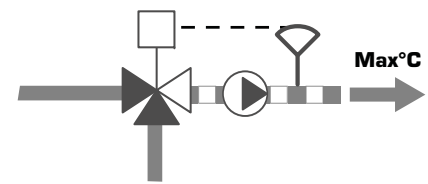
SERIES CRB100



NO.1 IN HYDRONIC SYSTEM CONTROL

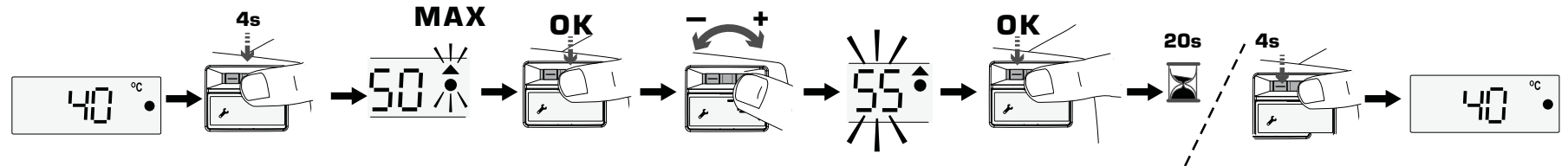


▲ = MAX

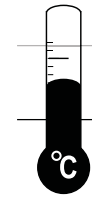
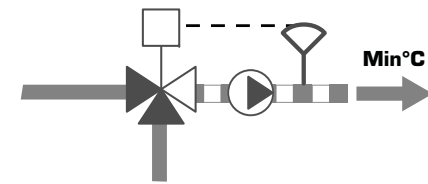


▲ Max°C  
● Min°C  
▼

	50 °C
	~40 - 50 °C
	~60 - 80 °C

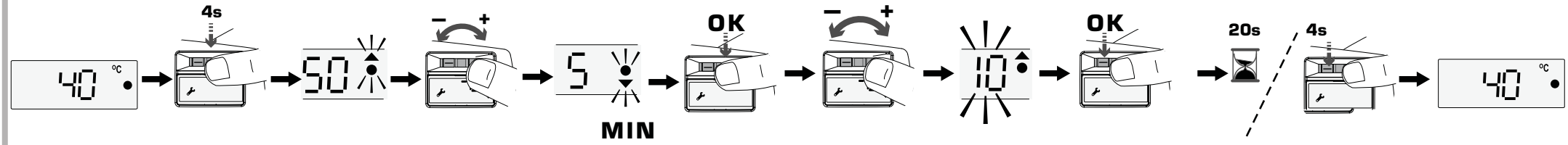


▼ = MIN



▲ Max°C  
● Min°C  
▼

	5 °C
	~5 - 25 °C
	~5 - 25 °C



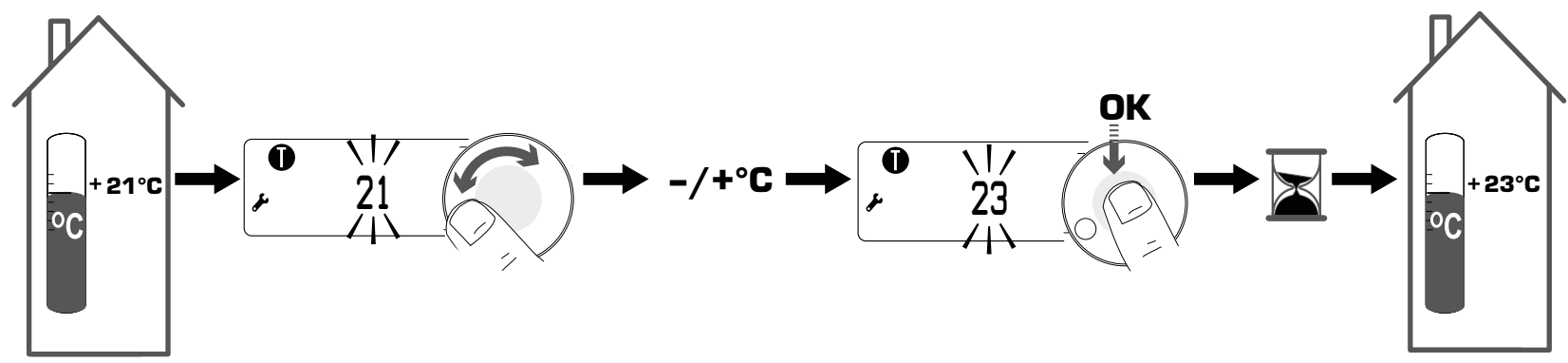
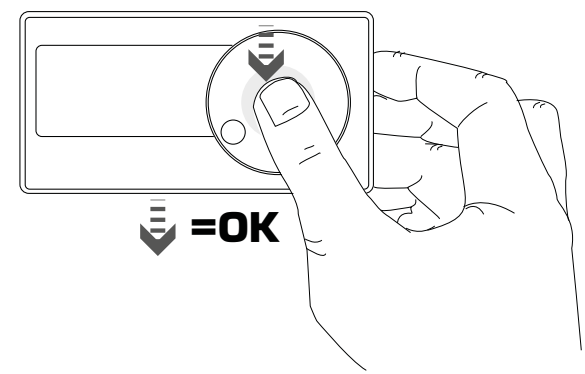
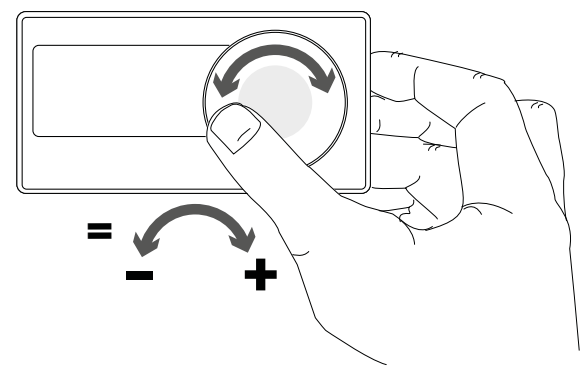
6



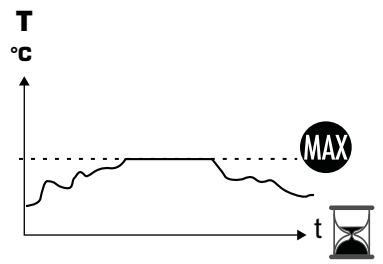
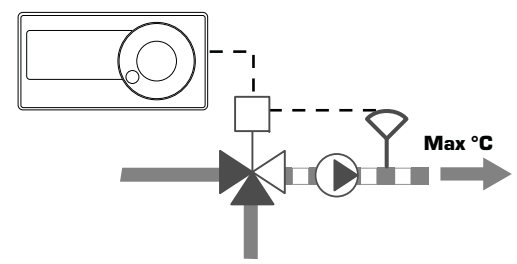
T



i



**i** **MAX**



	<b>50 °C</b>
	<b>~40 - 50 °C</b>
	<b>~60 - 80 °C</b>
	<b>60 °C</b>

**i** **21** **4s**

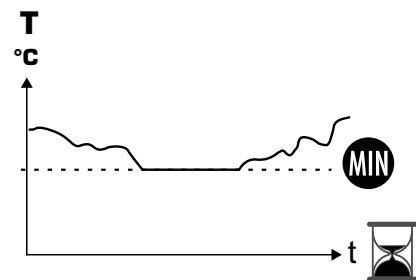
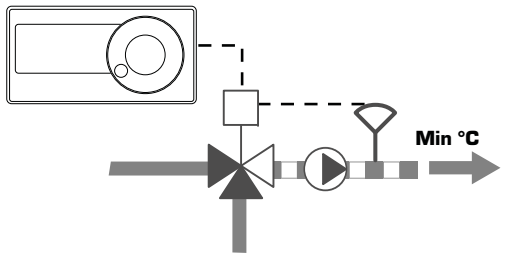
**OK** **50** **MAX**

**OK** **55** **MAX**

**-/+°C**

**OK**

**i** **MIN**



	<b>5 °C</b>
	<b>~5 - 25 °C</b>
	<b>~5 - 25 °C</b>
	<b>~5 - 25 °C</b>

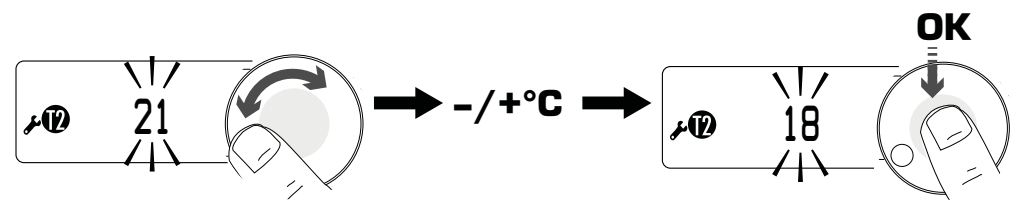
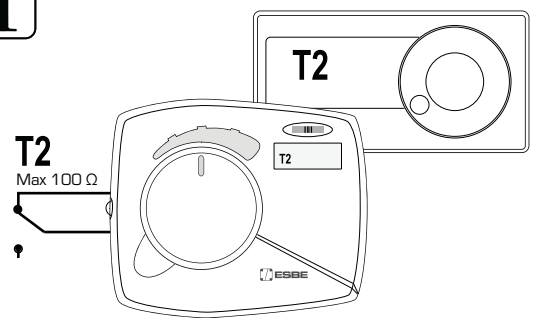
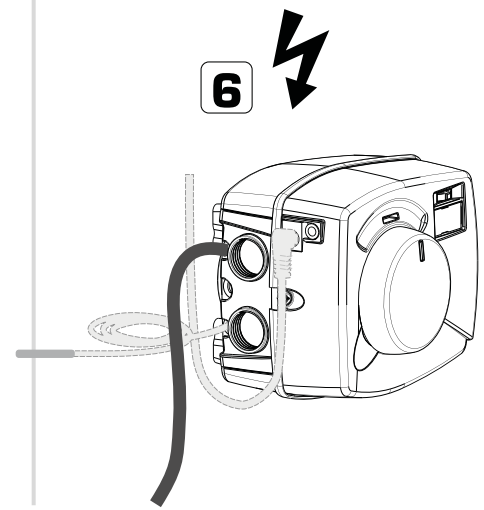
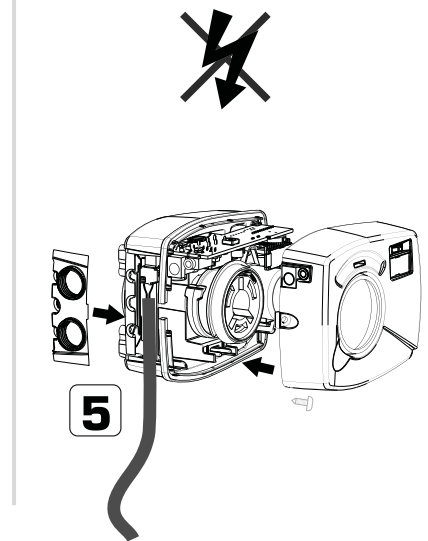
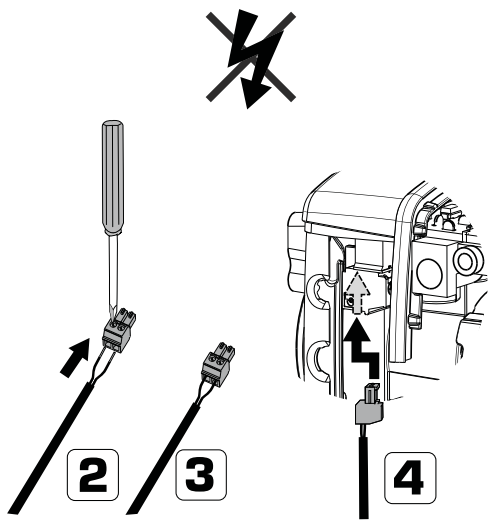
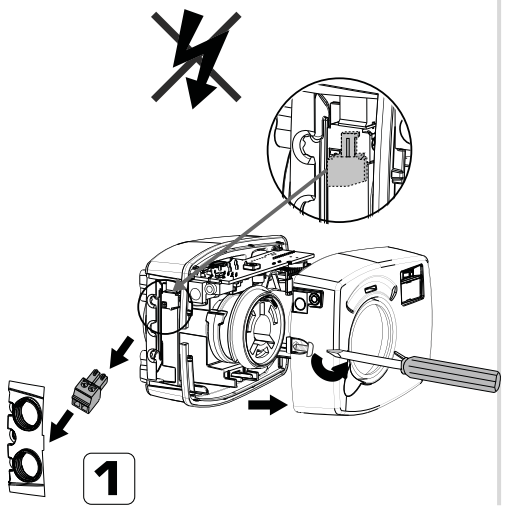
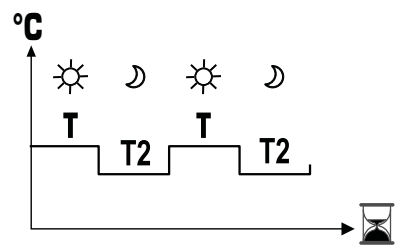
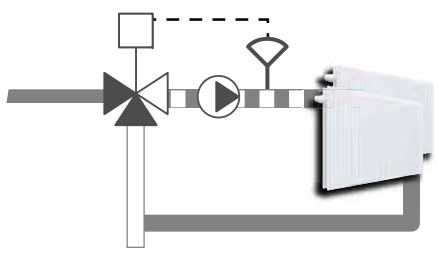
**i** **21** **4s**

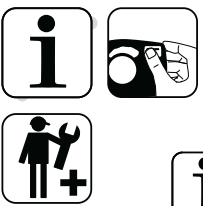
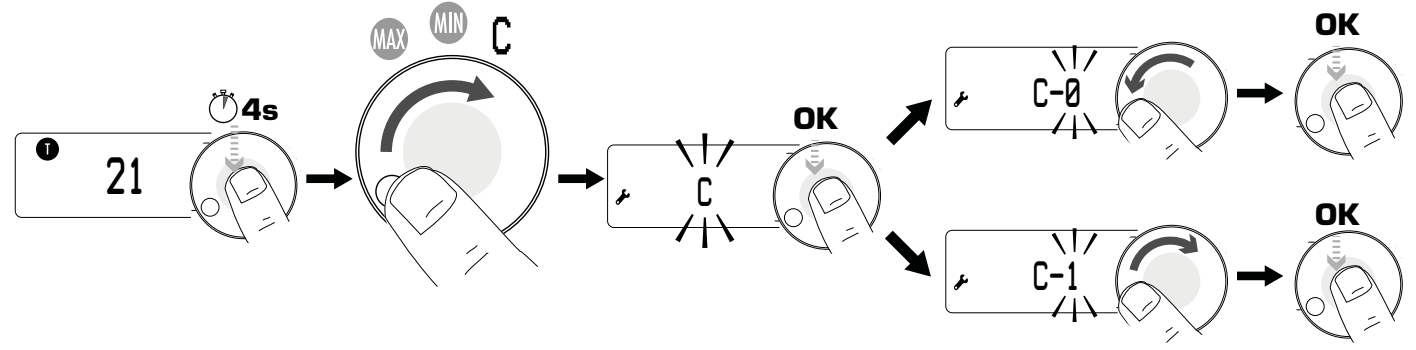
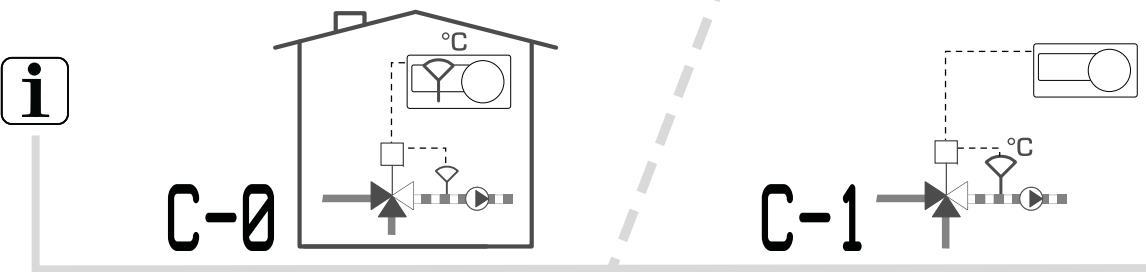
**OK** **5** **MIN**

**OK** **10** **MIN**

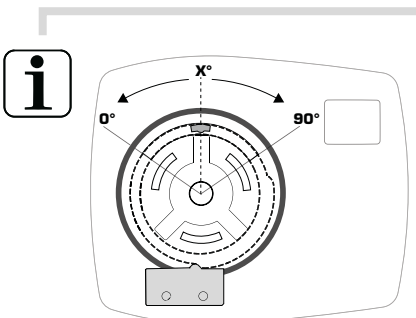
**-/+°C**

**OK**

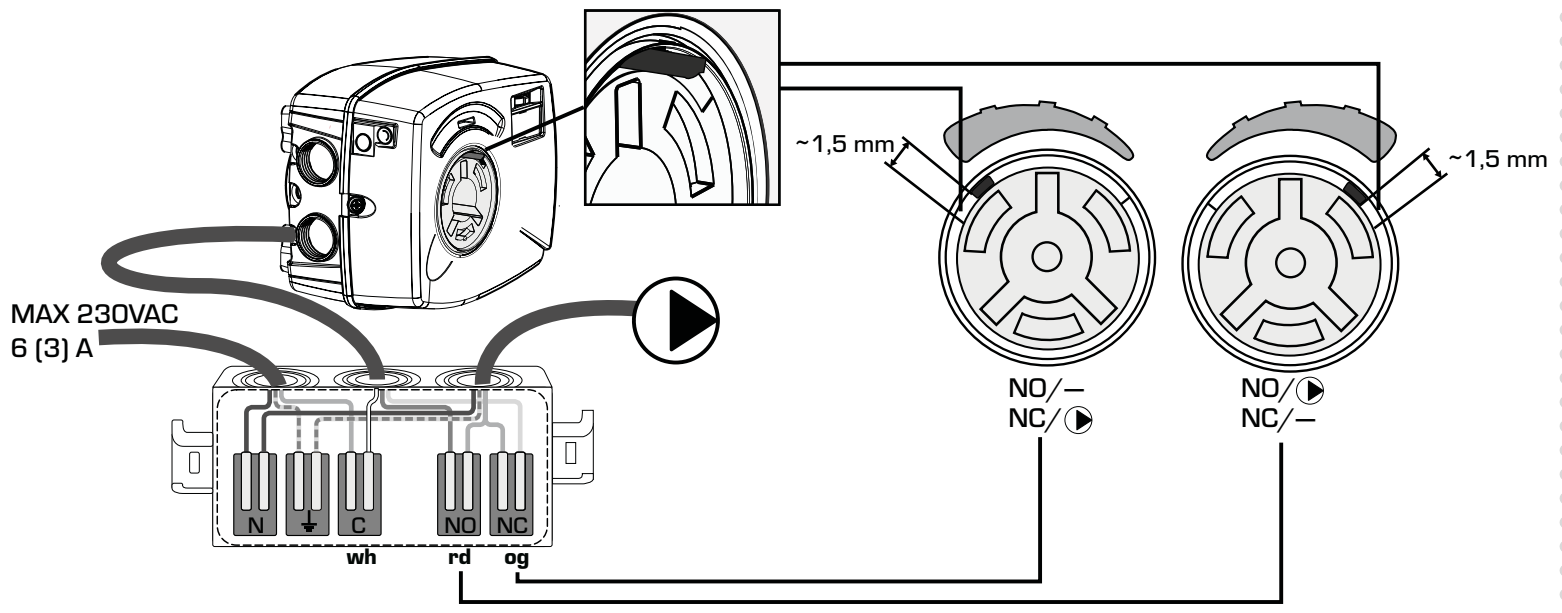




**Series CRB113 ON/OFF**



	0° - X°	X° - 90°
NO		
NC		
	X° = 45°	



**T**

**i**

